



# DIAM - 151KK

## DIGITAL PANEL METER WITH BAR-GRAPH INDICATOR

### Features

- Loop Powered
- 51 segment Bar-Graph
- 4 to 20 mA Input
- 96mm X96mm DIN Standard or 2" Pipe Mounting.
- LED Display with Tricolor Bar-graph

### Description

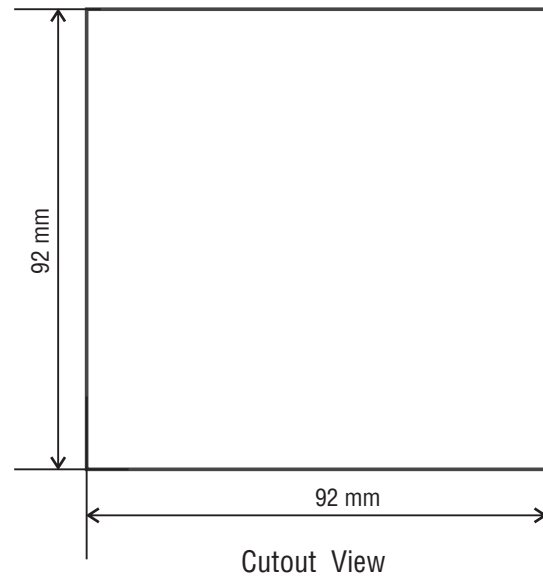
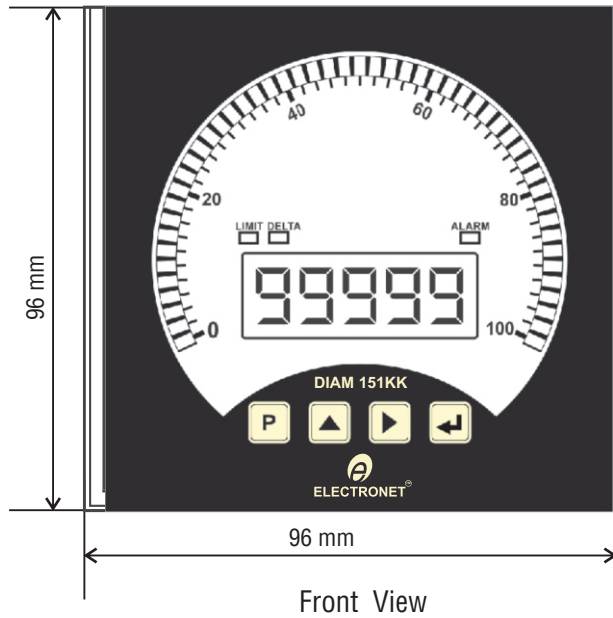
**E**lectronet series DIAM-151KK is a Loop Powered Tri-color Bar-Graph Indicator specially designed for various industrial applications. These indicators can be used for monitoring various parameters like Temperature, Pressure, Flow, Level, etc. The indicator is powered from the 4-20 mA loop signal. The signal indication is displayed on LED display as well as on the 51 segment tri-colour bar-graph. The range is programmable through front fascia. The voltage drop across the loop terminals is approximately 3.6 V DC.



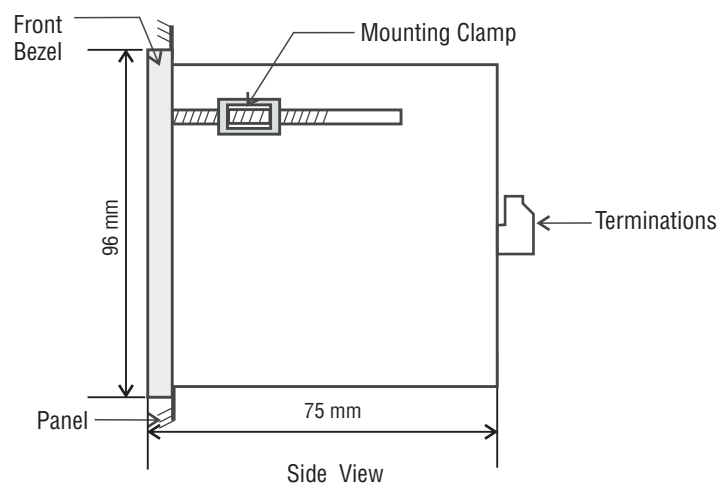
### Technical Specifications

Bazel Size	96 mm x 96 mm (In case of Panel Mount)
Input	4-20 mA DC, 2-Wire
Display	LED Display
Bar-Graph	51 Tri-color LED for Bar-Graph
Accuracy	± 0.1% of F. S.
Power Supply	24V DC Two Wire Loop Powered
Alarm Relay Output	One Open Collector Alarm Output / Two Open Collector Alarm Output
Response Time	Less than 500 mSec
Enclosure	DIN Standard
	Weather Proof IP 65
	Flameproof (CMRI IIA IIB Certified)
Enclosure Material	MS Powder Coated / Aluminum Die-Cast
Mounting Location	Flush of the Panel / 2" Pipe Mounting (Field)
Ambient Temperature	-20 to 55 °C
Relative Humidity	5 to 95 Rh at 35°C non condensing
Termination	Through Strippable Connector
Set Point Indication	Through orange LED, this LED starts blinking when process value crosses the set point.
Diagnostics	1) Shows 'UNDER' message when input is below 3.85 mA.
	2) Shows 'OVER' message when input exceeds 21.8 mA.
	3) If input fuse blows up, then the fuse blown LED will be 'ON'.

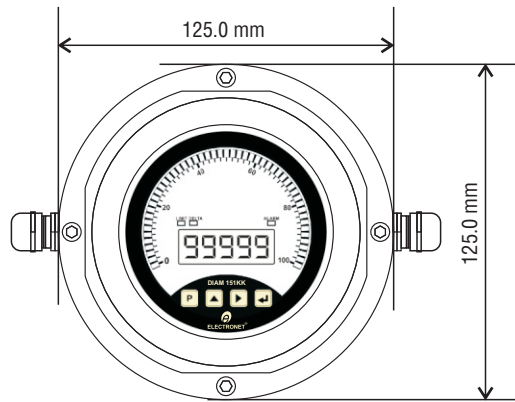
Dimensional Details



Installation Drawing - Panel Mounting

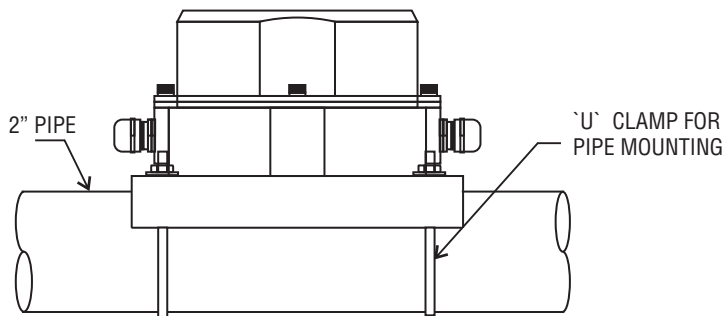


Dimensional Drawing



Front View

Installation Drawing - Pipe Mounting



Ordering Information

Sample Order Code : 

A1	I11
----	-----

Parameter	Code	Description	Parameter	Code	Description
A	A1	DIN Standard	I	I11	1 Open Collector Alarm Output
	A2	Weather Proof IP 65		I12	2 Open Collector Alarm Output
	A3	Flameproof (CMRI IIA IIB Certified)			

Note : • Due to our continuous product revisions, design specification and model numbers are subject to change without notice.  
 • Accuracy defined at Lab Conditions. • For other requirement please consult factory.

Applications

Food Industry	Chemical Industry	Atomic Energy	Manufacturing Industry
Automation Industry	Thermal Power Energy	Process Industry	Water Treatment Industry

**ELECTRONET EQUIPMENTS PVT. LTD.**

Factory Address:

Plot No. 8, (SEZ) Phase 1, Kesurdi MIDC,  
 Khandala, Dist.- Satara  
 Pin: 412 801, Maharashtra, India.

Registered Office:

Plot No. 84, 85, 86, Tiny Industrial Estate,  
 Kondhwa Budruk,  
 Pune-411 048, Maharashtra, India.

+91-20-26931476/2039    ho@eeplindia.com    +91-20-26934122    www.eeplindia.com