



DO - 100S

DISSOLVED OXYGEN TRANSMITTER

Features

- On-Line Measurement
- Auto / Manual Temperature Compensation
- 4-20 mA DC Output / 4-20 mA with HART (Generic)
- On-Line Indication through LCD Display
- Simple operating interface with basic Pictographs
- 2 Wire System

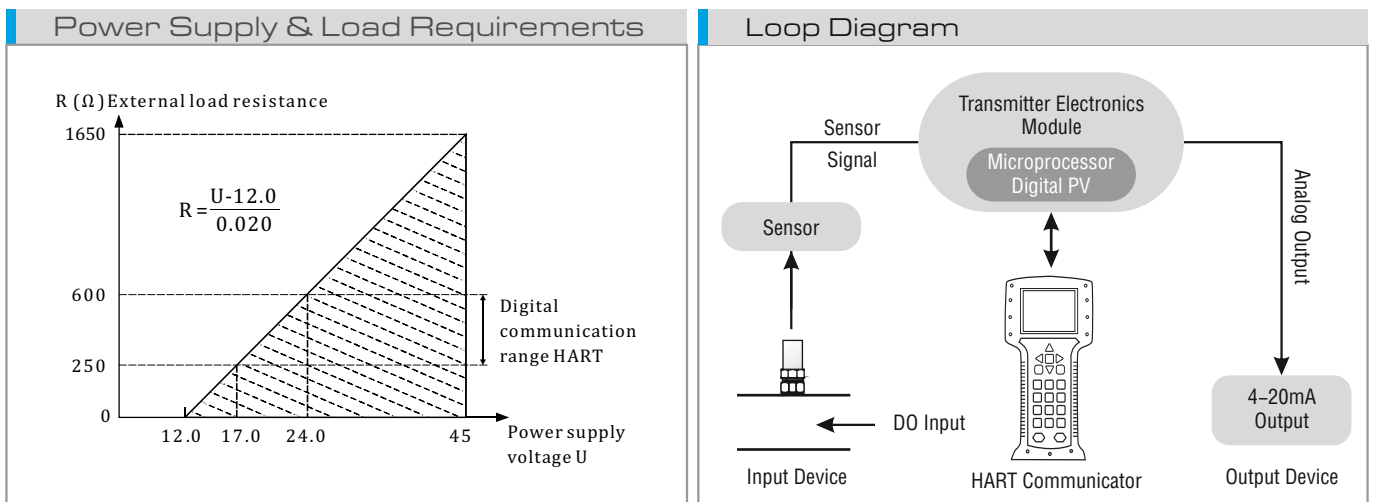
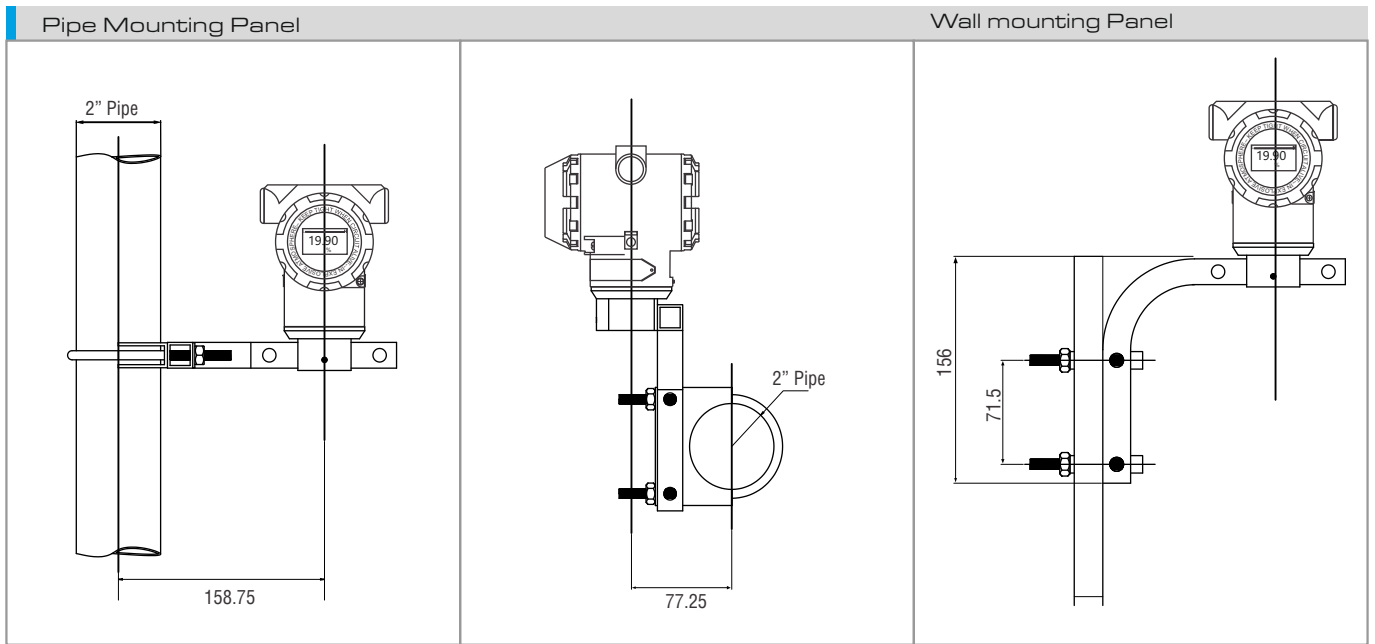


Description

Electronet series DO-100S are dissolved oxygen transmitters used for various industrial applications. It can accept input from DO electrode the signal is transmitted in the form of electrical 4 - 20 mA signal. The on-line indication is provided through LCD. Span/Zero adjustments are easily accessible.

Technical Specifications

Type of Input	From DO Electrode
Type of Output	4 - 20 mA, 4 - 20 mA with HART (Generic)
Display	LCD Display
Calibration Range	0 to 20.9 ppm
Electronics Transmitter Accuracy	+/- 0.25% F. S.
Isolation	1.4 KV between Input, Output & Power Supply
Sensor Connection	1) Through BNC connector 2) Through Terminals
Power Supply	24V DC Two Wire Loop Powered
Power Consumption	< 50 mW
Repeatability	+/-0.05% of SPAN, at 25 °C
Response Time	< 1000 mSec
Temperature Coefficient	+/- 0.01% per °C
Temperature Compensation	RTD PT-100 / RTD PT-1000
Electronic Protection Class	Flame Proof CMRI IIA IIB / Weather Proof IP-67
Dimensions	155 mm (H) x 105 mm (W) X 130 mm (D)
Electrical Connections	1) M20X1.5 (F) 2) ½" NPT(F) 3) M12 Connector & 4) Other
Mounting	2" Pipe Mounting
Weight	1 kg (Approximate)
Ambient Conditions	Temperature -20 to 55 °C / Humidity 5 to 95% non condensing
Housing	Cast aluminum with epoxy coating NEMA 4X / SS316
Flow Through Assembly (Optional)	SS / PP
Certification	CE



Ordering Information				Sample Order Code : D2 G1 H2 I1 K1			
Parameter	Code	Description		Parameter	Code	Description	
D	Area Classification (Electronics)	D2	Weatherproof IP 67	I	Temperature Compensation	I1	RTD PT-100
		D3	Flame Proof CMRI IIA IIB				IY
G	MOC Electronics Enclosure	G1	Die Cast Aluminium	K	Output 1	K1	4 to 20 mA
		G2	SS316			K2	4 to 20 mA with HART (Generic)
H	Electrical Connection	H1	M 20 x 1.5 (F)			KX	NA
		H2	1/2" NPT (F)				
		H3	M12 Connector				
		HY	Other				

Note :

- Due to our continuous product revisions, design specification and model numbers are subject to change without notice.
- Accuracy defined at Lab Conditions.
- For other requirement please consult factory.
- Sensor & other accessories to be ordered separately.

ELECTRONET EQUIPMENTS PVT. LTD.

Factory Address:

Plot No. 8, (SEZ) Phase 1, Kesurdi MIDC,
Khandala, Dist.- Satara
Pin: 412 801, Maharashtra, India.

Registered Office:

Plot No. 84, 85, 86, Tiny Industrial Estate,
Kondhwa Budruk,
Pune-411 048, Maharashtra, India.

+91-20-26931476/2039 ho@eeplindia.com +91-20-26934122 www.eeplindia.com