

DPT - 22

DIFFERENTIAL PRESSURE TRANSMITTER



FEATURES

- Piezo Resistive Sensor
- Measuring Range 0.2 to 25 Bar
- Handy & Maintenance Free
- Reliable & Cost Effective
- Ingress Protection IP 65

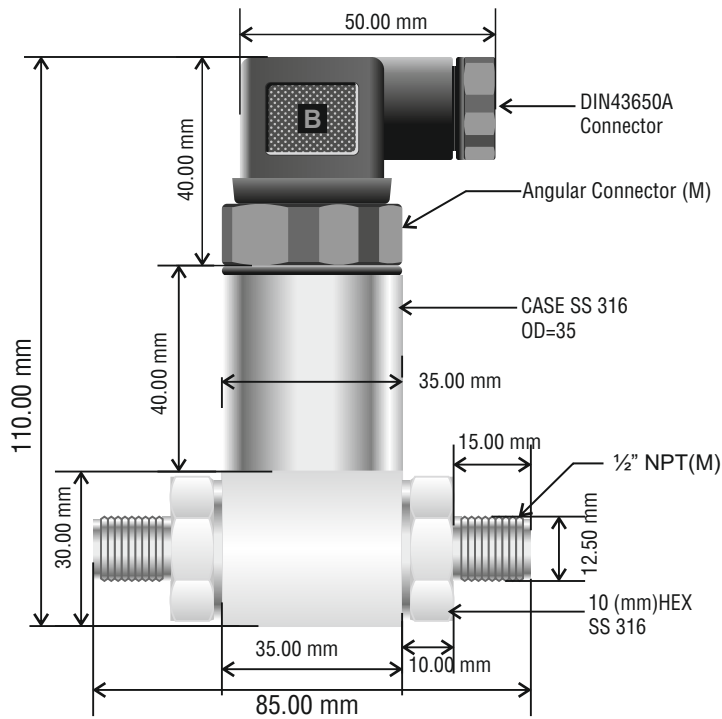


Electronet series DPT-22 are Digital Differential Pressure Transmitter for fast, easy & trouble free operation. These transmitters are designed to cover the majority of industrial applications such as clear Gases & Liquids. Electrical output is in the form of 4–20 mA DC proportional to the Input Pressure. All wetted parts are stainless steel & hermitically welded.

Technical Specifications

| | |
|--------------------------|--|
| Sensor Type | Piezo Resistive |
| Measuring Range | 0.1885 psi to 300 psi |
| Power Supply | 24V DC Two Wire Loop Powered / 12 to 36V DC |
| Output | 4 to 20 mA DC, 0 to 10 V |
| Output Load | Max 600 Ω |
| Communication Output 1 | RS485 (MODBUS RTU) |
| Accuracy | $\pm 0.25\%$ F. S. |
| Non Linearity | 0.2% of Span |
| Non Repeatability | < 0.1% of Span |
| Response Time | <10 mSec for 10 to 90% output change |
| Over Pressure Safety | 2 times max. Pressure range |
| Burst Pressure | 3 times max. Pressure range |
| Process Temperature | -20 to 120 °C max |
| Ambient Conditions | Temperature : -20 to 55°C / Humidity : 5 to 95% non condensing |
| Insulation Resistance | >100 M Ω at 100VDC |
| Span / Zero Adjustments | Provided |
| Process Connection | Threaded: 1/4" NPT, 2) 1/2" NPT, 3) 1/4" BSP, 4) 1/2" BSP |
| Electrical Connection | DIN 43650 Connector |
| Mounting | Direct Line mount (Vertical) |
| Material of Construction | All wetted parts SS 316 (Options available on request) |
| Enclosure | SS316 with IP 65 Ingress Protection |
| Area Classification | Field Mount Weather Proof IP65 |
| Certification | CE |
| Weight | 0.6 kg (Approximate) |

Product Drawing & Dimensions DPT 22



Front View



Side View

Ordering Information

Sample Order Code :

| | | | | | | |
|----|----|----|----|----|----|----|
| B2 | D5 | H1 | I1 | L2 | M1 | P1 |
|----|----|----|----|----|----|----|

| Parameter | Code | Description | Parameter | Code | Description | | |
|---|----------------|-------------|------------------------------|---|-----------------------|----|--------------------|
| B | Pressure Range | B1 | 0.1885 psi | I | Communication Output1 | I1 | RS485 (MODBUS RTU) |
| | | B2 | 1.16 psi | | | IX | NA |
| | | B3 | 5.801 psi | Note: For 0 to 10V and RS485 outputs, separate power supply to be used. | | | |
| | | B4 | 29.007 psi | L | Diaphragm Material | L1 | SS316L |
| | | B5 | 100 psi | | | L2 | Hastelloy C |
| | | B6 | 300 psi | | | LY | Other |
| | | B7 | 1000 psi | | | | |
| D | Power Supply | D4 | 24V DC Two Wire Loop Powered | M | Fill Fluid | M1 | Silicon Oil |
| | | D5 | 12 to 36V DC | | | MY | Other |
| | | DY | Other | | | | |
| H | Output | H1 | 4 to 20 mA | P | Process Connection | P1 | 1/4" NPT (M) |
| | | H2 | 0 to 10 V | | | P2 | 1/2" NPT (M) |
| | | HY | Other | | | P3 | 1/4" BSP (M) |
| | | P4 | 1/2" BSP (M) | | | | |
| | | P5 | 1/4" NPT (F) | | | | |
| | | P6 | 1/2" NPT (F) | | | | |
| | | P7 | 1/4" BSP (F) | | | | |
| | | P8 | 1/2" BSP (F) | | | | |
| | | PY | Other | | | | |
| Note : <ul style="list-style-type: none"> Due to our continuous product revisions, design specification and model numbers are subject to change without notice. Accuracy defined at Lab Conditions. For other requirement please consult factory. | | | | | | | |

Applications

| | | | |
|---------------------|----------------------|------------------|--------------------------|
| Food Industry | Chemical Industry | Atomic Energy | Manufacturing Industry |
| Automation Industry | Thermal Power Energy | Process Industry | Water Treatment Industry |

ELECTRONET EQUIPMENTS PVT. LTD.

Factory Address:

Plot No. 8, (SEZ) Phase 1, Kesurdi MIDC,
Khandala, Dist.- Satara
Pin: 412 801, Maharashtra, India.

Registered Office:

Plot No. 84, 85, 86, Tiny Industrial Estate,
Kondhwa Budruk,
Pune-411 048, Maharashtra, India.



+91-20-26931476/2039



ho@eeplindia.com



+91-20-26934122



www.eeplindia.com