

pH - 100S

pH/ORP TRANSMITTER

Features

- On-Line Measurement
- 2 Wire System
- 4-20 mA DC Output / 4-20 mA with HART
- Auto / Manual Temperature Compensation
- On-Line Indication through LCD Display
- Simple operating interface with basic Pictographs
- Easy Installation

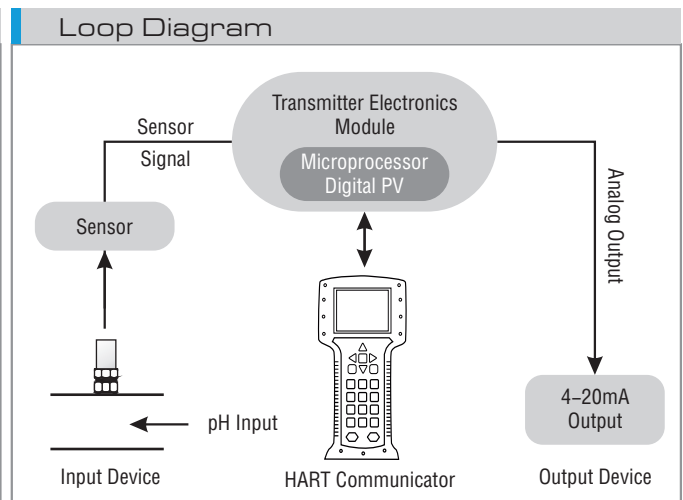
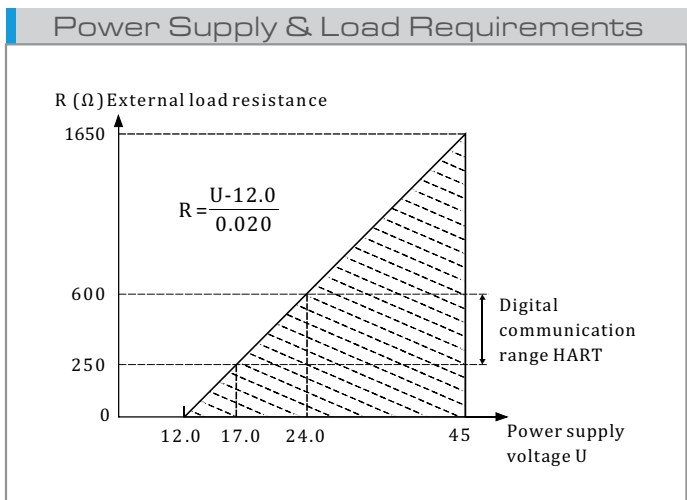
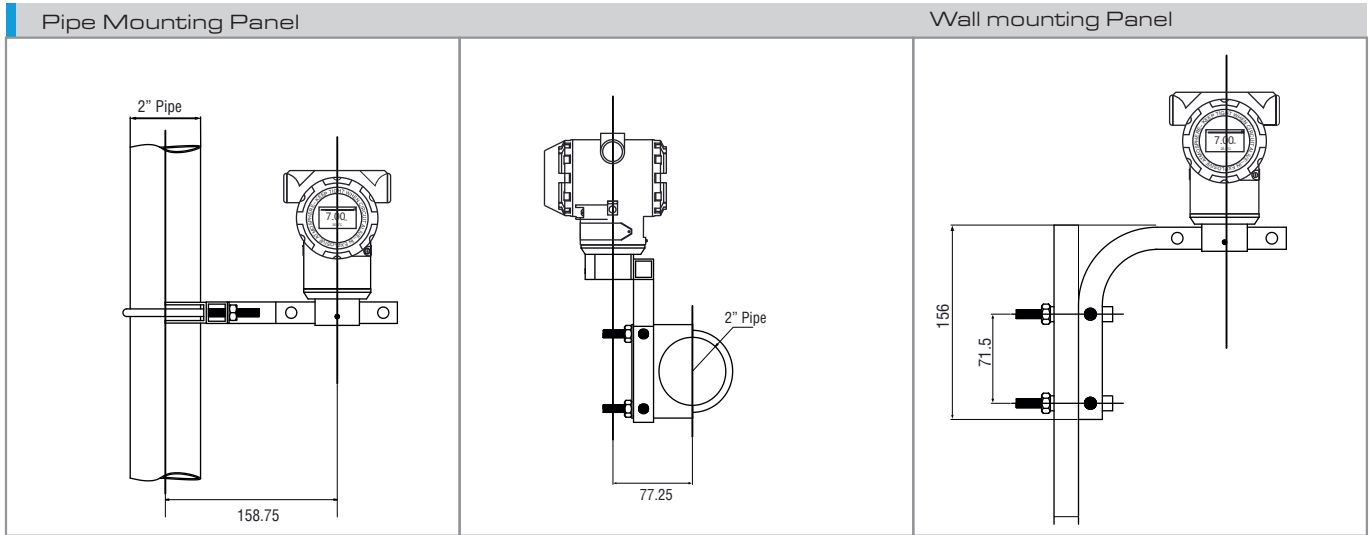


Description

Electronet series PH-100S are PH / ORP transmitters used for various industrial applications. It can accept input from pH / ORP electrode & pH / ORP signal is transmitted in the form of an electrical 4 – 20 mA signal. The on-line pH / ORP indication is provided through LCD. Span / Zero adjustments are easily accessible. These transmitters are suitable for any make of electrode

Technical Specifications

Type of Input	From pH / ORP Electrode (Compatible to any make Electrode)
Type of Output	4 – 20 mA, 4 – 20 mA with HART (Compatible)
Display	LCD Display
Calibration Range	pH : 0 to 14 pH, ORP : +/-2000mV
Calibration Method	3 Point buffer
Temperature Compensation	RTD PT-100 / RTD PT-1000
Electronics Transmitter Accuracy	pH : +/- 0.05 pH, ORP : +/-3mV
Isolation	1.4 KV between Input, Output & Power Supply
Sensor Connection	1) Through BNC connector 2) Through Terminals
Power Supply	24V DC Two Wire Loop Powered
Power Consumption	< 50 mW
Repeatability	+/-0.05% of SPAN, at 25 °C
Response Time	< 1000 mSec
Temperature Coefficient	+/- 0.05% per °C
Dimensions	155 mm (H) x 105 mm (W) X 130 mm (D)
Electrical Connections	1) M20X1.5 (F) 2) ½" NPT(F) 3) M12 Connector & 4) Other
Electronic Protection Class	Flame Proof CMRI IIA IIB / Weather Proof IP-67
Mounting	2" Pipe Mounting
Weight	1 kg (Approximate)
Ambient Conditions	Temperature -20 to 55 °C / Humidity 5 to 95% non condensing
Housing	Cast aluminum with epoxy coating NEMA 4X / SS316
Flow Through Assembly (Optional)	SS316 / PP
Certification	CE



Ordering Information

Sample Order Code : B1 D2 G1 H2 I1 K1

Parameter	Code	Description
B	B1	pH
	B2	ORP
D	D2	Weatherproof IP 67
	D3	Flame Proof CMRI IIA IIB
G	G1	Die Cast Aluminium
	G2	SS316

Parameter	Code	Description
H	H1	M 20 x 1.5 (F)
	H2	½" NPT (F)
	H3	M12 Connector
	H4	Other
I	I1	RTD PT-100
	IY	Other
K	K1	4 to 20 mA
	K2	4 to 20 mA with HART (Compatible)
	KX	NA

Note :

- Due to our continuous product revisions, design specification and model numbers are subject to change without notice.
- Accuracy defined at Lab Conditions.
- For other requirement please consult factory.
- Sensor & other accessories to be ordered separately.

ELECTRONET EQUIPMENTS PVT. LTD.

<p>Factory Address:</p> <p>Plot No. 8, (SEZ) Phase 1, Kesurdi MIDC, Khandala, Dist.- Satara Pin: 412 801, Maharashtra, India.</p>	<p>Registered Office:</p> <p>Plot No. 84, 85, 86, Tiny Industrial Estate, Kondhwa Budruk, Pune-411 048, Maharashtra, India.</p>
--	--

+91-20-26931476/2039
 ho@eeplindia.com
 +91-20-26934122
 www.eeplindia.com

